

STAR 6

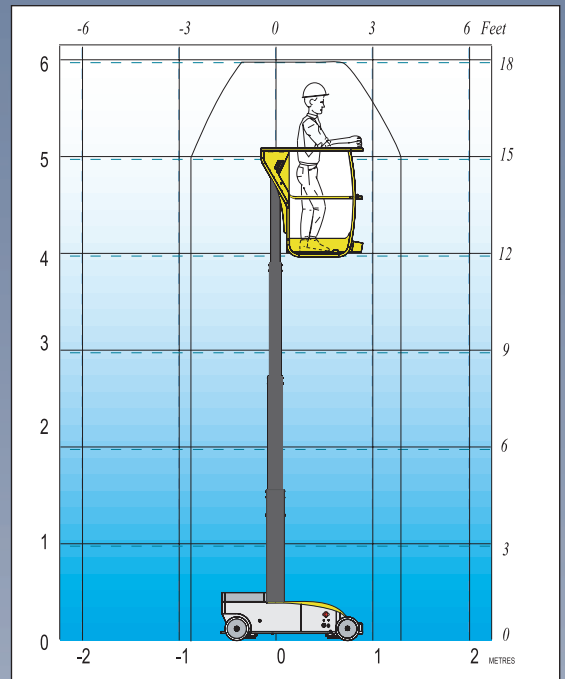
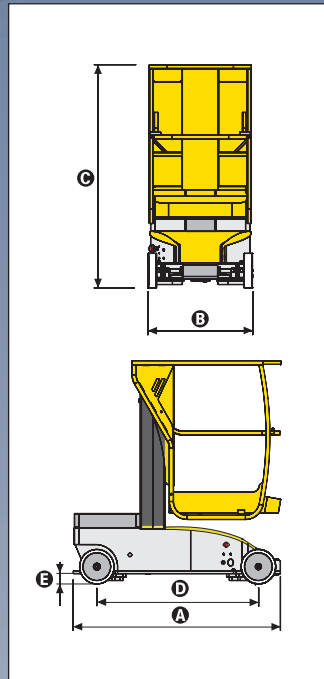


- Compact and easy to drive
- 1.65 m (5ft 4in) stowed height
- 0.76 m (2ft 5in) width
- Electric and proportional controls



The Haulotte® advantages

- Ideally suited for maintenance works
- Electric drive possible at full height
- 1.65 m (5ft 4in) stowed height allowing passage through standard doors and lifts
- 0.78 m (2ft 5in) width, very tight turning radius offering high driveability in the most congested areas
- Proportional controls allowing soft and very progressive driving
- 5 km/h (3.11mph) maximum drive speed
- Low weight allowing high autonomy
- Robust, reliable and easy to maintain



STANDARD FEATURES

- 24 V electric engine continuous
- 24 V - 180 AH semi-traction batteries
- 30 Amp charger
- Batteries load indicator
- 2 drive speeds
- 2 front drive and steer wheel
- Non marking tyres
- Free wheeling device
- Hourmeter
- Horn in cage
- Emergency stop
- Towing hooks
- Detachable control box with outlets in the basket or on the chassis

OPTIONS & ACCESSORIES

- Batteries centralised filling
- Flashing light
- Working light
- Motion for all-movements alarm
- Line to cage
- Airline to cage

SPECIFICATIONS

Working height	6.0 m	13 ft 1 in
Platform height	4.0 m	13 ft 1 in
Driveable up to	4.0 m	13 ft 1 in
Maximum capacity	180 kg	397 lb
A Stowed length	1.50 m	4 ft 11 in
B Overall width	0.76 m	30 in
C Stowed height	1.65 m	5 ft 4 in
D Wheelbase	1.17 m	3 ft 10 in
E Ground clearance	70 mm	2 ft 3 in
Platform size	0.8 m x 0.68 m	2 ft 7 in x 2 ft 2 in
Tailswing	0	
Drive speed proportional	1.5 - 5 km/h	0-3.1 mph
Lift speed	17 / 30 sec.	
Outside turning radius	1.45 m	3 ft 3 in
Semi-traction batteries	24 V - 180 Ah	
Maximum gradeability	22 %	
Non marking tyres	250 x 60	
Hydraulic tank	5 l	1,84 gal
Weight	800 kg	1,763 lb

AS1418.10

